

To be considered for stormwater management, the following conditions must be met:

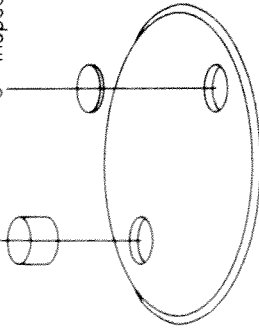
- A. The maximum drainage area to each rain barrel cannot exceed 600 square feet.
- B. The storage capacity of the rain barrel system shall be at least 50 gallons. Multiple rain barrels may be linked together to meet the minimum storage capacity.
- C. Rain barrels shall be watertight and contain the following features (see Details):

1. An outlet with a threaded spigot,
2. A screened intake port,
3. A secure cover or lid, and
4. An overflow

Rain barrels may be either constructed or purchased "ready-made." In addition to the above conditions, local jurisdictions may impose restrictions on the the location and use of rain barrel systems. Rain barrels may be easily constructed using the detail as guidance:

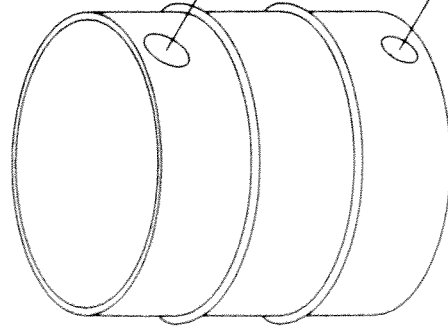
4" slotted drain, louvered screen, or atrium grate

6" inspection port (optional)



45 to 55 gallon "food-grade" barrel or trash can

3/4" threaded hose adapter



3/4" garden hose faucet

MATERIALS LIST:

- 45 to 55 gallon food-grade barrel or trash can
- 4" slotted drain, louvered screen, or atrium grate
- 6" or larger inspection port –required if barrel does not have a removable cover or lid
- 3/4" threaded hose adapter
- 3/4" garden hose faucet (brass preferred)
- Locknuts or similar hardware to secure hose adapter and faucet to barrel from inside
- 12" by 12" piece of window screen– used in conjunction w/ slotted drain to screen out debris and minimize mosquito nuisance
- Waterproof sealant or rubber gaskets
- Miscellaneous fasteners (e.g., stainless steel sheet metal screws) as needed to attach inspection port, garden hose faucet, and/or slotted drain
- Downspout elbow to direct runoff into the barrel

NOTES:

48 gallon food-grade barrels are commonly available from local soft drink distributors. Typically, these barrels do not have removable lids and must be cleaned before use.

Inspection ports typically come in 6", 8" and 10" diameters and may be purchased wherever boating supplies are sold. If the barrel does not have a removable top, then an inspection port is required for access during construction and for maintenance



RAIN BARREL

RAIN BARREL	
TYPICAL DETAILS	RB--1