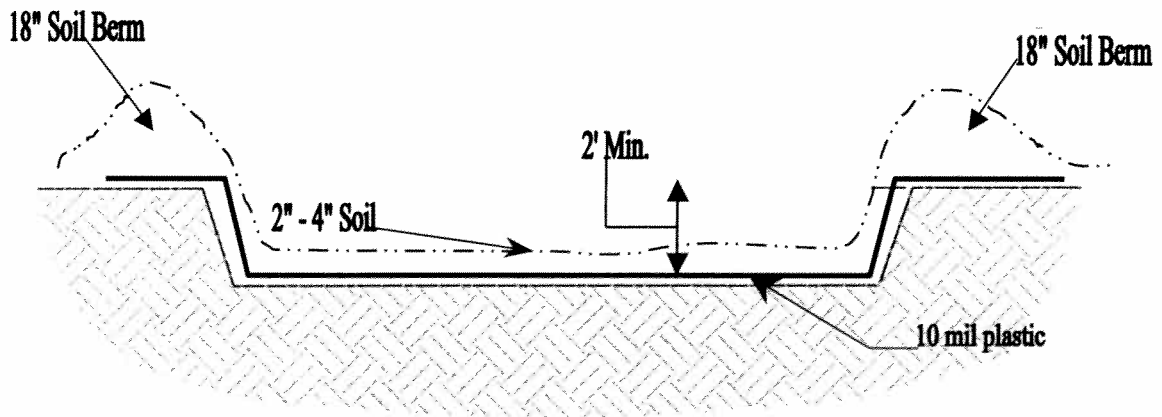
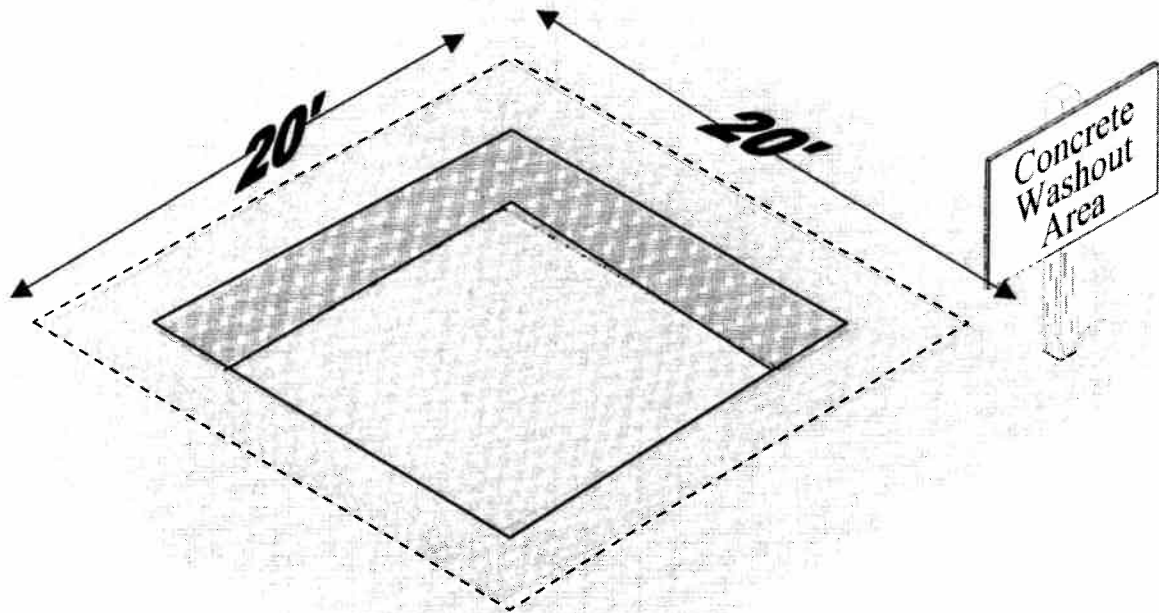


# Concrete Washout Area



- Recommended dimensions are 20' x 20' x 2' deep. Washout should be sized according to pace at site with consideration to any site limitations
- Washout must be lined with 10 mil. plast

- Spoils from the excavation should be placed on top of the plastic to hold it in place. Spoils should also be used to create an 18" berm around the perimeter of the washout.

Schedule maintenance of washout area when it is at 75% capacity.

75% capacity = 18" from bottom of washout to top of slurry